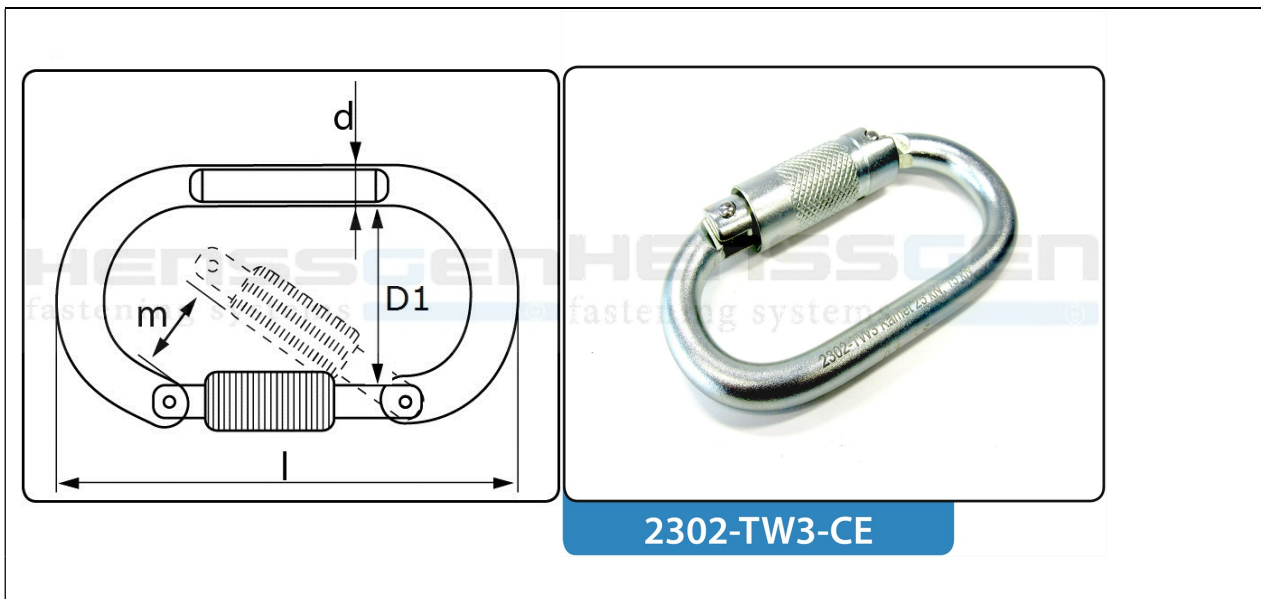


Data Sheet

Article no.
2302-TW3

ID
935044

Date
14-11-219



1 [mm]	L [mm]	d [mm]	m [mm]
31	104	10	18

Material : High tensil steel

Surface : zinc plated

Weight : 0,160 kg

SL : 25 kN
(static load)

DIN : certificated EN 362

TW3 = tro-lock= first push, then twist 90°, then open